

MAKEN

Heavy Duty Small Cash Drawer

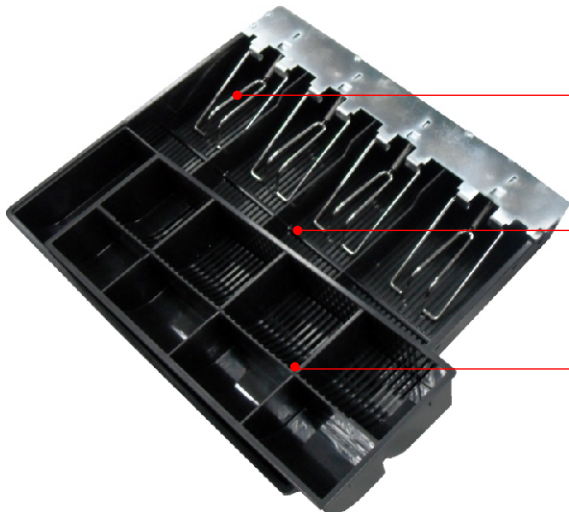
Make It Happen

INNOVATION QUALITY SERVICE



MK-350

All metal construction, suitable for heavy duty use and prolonged operational life, the ideal choice for reliability and perfect platform any compact EPOS terminal. Adjustable and removable 4 bills and 8 coins cash tray with metal wire grippers, making it world wide compatible



Durable Metal Wire Gripper
Tested over one million operations

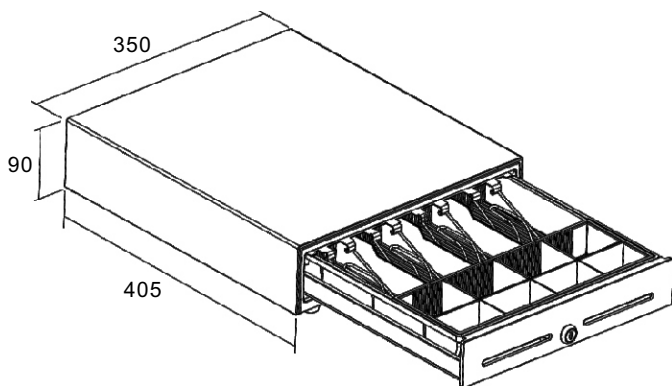
Easy and comfortable operation. Human
Engineering Design

Removable and adjustable cash tray

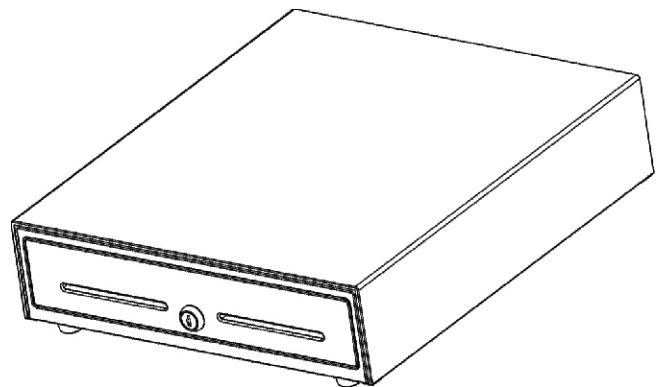
MK-350 Specifications

MODEL NUMBER	MK-350	
PHYSICAL		
Dimension	350 (W)x405 (D)x90 (H)mm	
Construction	All metal construction	
Finish	Textured hybrid powder coat	
Color	Black, Beige and Custom type	
Roller	Polyurethane for smooth operation	
CASH TRAY (INSERT)		
Construction	Shatter-resistant plastic	
Currency Layout	4,5-Bill with Metal Metal wire grippers, 8 Adjustable Coin Slots	
Media Slots	2	
OPERATION		
Lock	3-Position lock / 4-Functions: locked open/ closed, manual open, electronically driven	
Interface	RJ11, RJ12, USB, RS232, DC Φ 2.5 /3.5 Jack, custom type	
Lifecycle	MTBF 1,000,000 times +	
Micro Switch	Cash Drawer Status Micro Switch	
OPTION		ACCESSORIES
Stainless Steel Front	Part Number	Description
Cash tray with different currency layout	Tray-3548, Tray-3558	Cash Tray
Different color	DT-100U	USB Trigger
Different interfaces	DT-100RS	Serial Interface Trigger

Packing Details			
Models	Net Weight(kg)	Gross Weight(kg)	Carton Size(cm)
MK-350	5.4	6.1	45.3 × 40.2 × 13.5



MK-350



Specifications are subjected to change without notice.

Xiamen Maken Tech Co., Ltd.

No.77,Huli Industrial Zone,Xike,
Tong' an District,Xiamen 361100
Fujian China

Tel: +86-592-5768733
Fax: +86-592-5768735
www.maken.com.cn
E-mail: export@maken.com.cn

